

PBVM / PBVO / PBVL

Pneumatic operated bottom valves



Alfons Haar

For each application the right bottom valve !



The pneumatically operated **Alfons Haar** bottom valves are used internationally for top- and bottom loading as well as for unloading of tank compartments. The high quality of manufacture ensures a long life and high reliability.

The bottom valves correspond to the following standards:

EN 13316 for pressure balanced bottom valves, **EN 13308** for non pressure balanced bottom valves and are certified for the use according to **ADR**.

For bottom loading via manifold we can offer special types.

For all bottom valves the following applies:

- Nominal pressure 10 (compression-proof up to 50 bar!)
- Extremely low pressure loss for highest flow rate
 - designed as vortex breaker
- Complete separation of product and working air
- Controlled closing speed to limit pressure surges
- Shear grooves for protection of tank shell
- Low maintenance requirements and operationally reliable
 - coated surfaces
 - Viton seals
- TÜV certified, TÜ.AGG.235-95

PBVM / PBVO / PBVL

Pneumatic operated bottom valves



PBVM

90° Design:

PBVM 100/100 U FL90 P

non pressure balanced

Part no.

2157083

PBVM 100/100 S FL90/15 P

pressure balanced, with pressure relief valve 15 bar

2146275

T Design:

PBVM 100/100 U FLT P

non pressure balanced

2162466

PBVM 100/100 S FLT/15 P

pressure balanced, with pressure relief valve 15 bar

2162515

PBVO

PBVO 100/100 U FL90 P

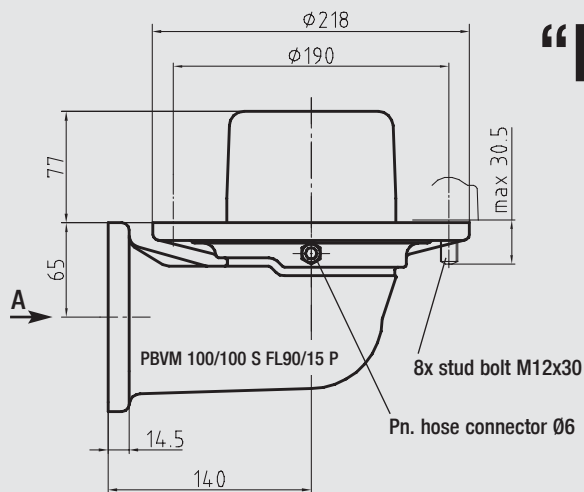
non pressure balanced

2165245

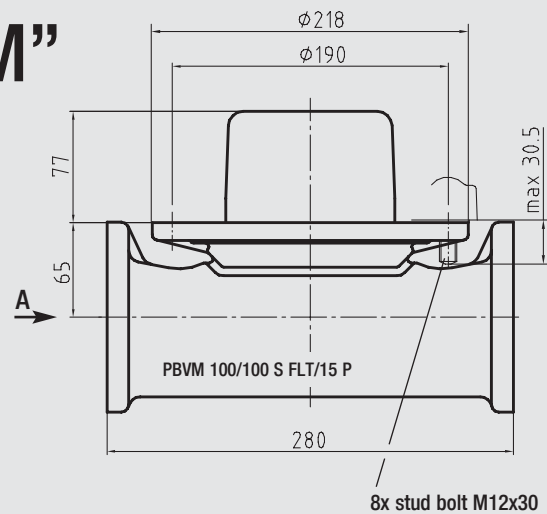
PBVO 100/100 S FL90/15 P

pressure balanced, with pressure relief valve 15 bar

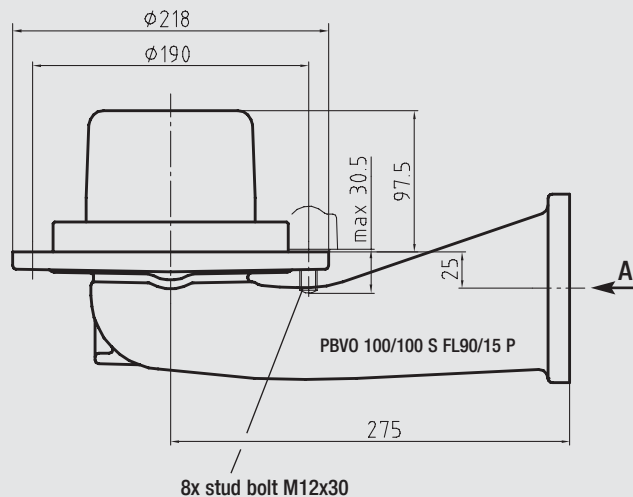
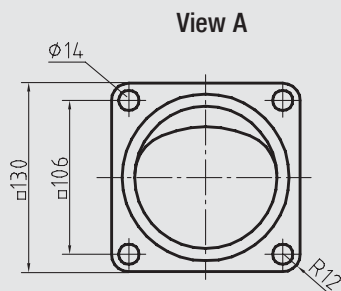
2165434



“M”



“O”



PBVM / PBVO / PBVL

Pneumatic operated bottom valves



PBVL

90° Design:

PBVL 100/100 U FL90 P

non pressure balanced

Part no.

2166414

PBVL 100/100 S FL90/15 P

pressure balanced, with pressure relief valve 15 bar 2132646

T Design:

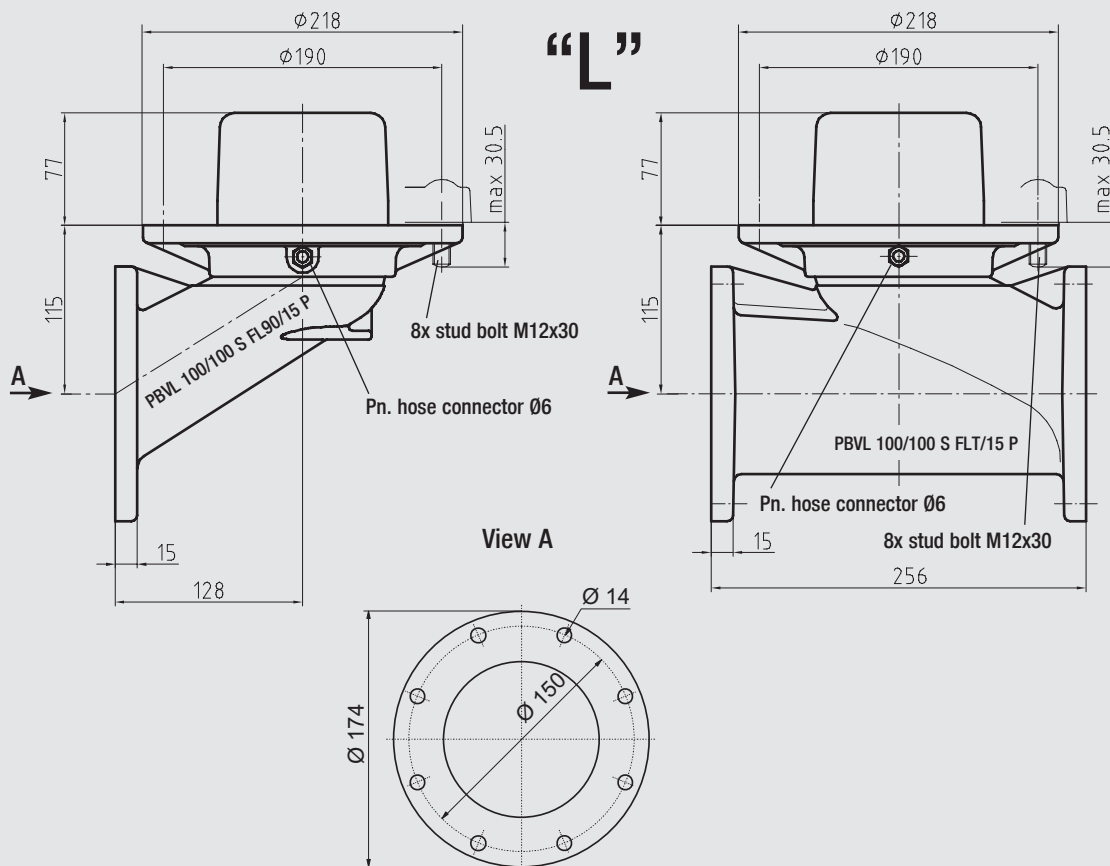
PBVL 100/100 U FLT P

non pressure balanced

2161815

PBVL 100/100 S FLT/15 P

pressure balanced, with pressure relief valve 15 bar 2161689



Accessories

Weld-in flange AL (tank)
Flange gasket (tank)
Strainer basket complete

Part no.
1001759
1037036
2144924

Hose nipple
Weld-on flange AL (pipe)
Eye bolt M8

Part no.
1727466
1147567
1267694